

SeaBlaze Typhoon

THROUGH-HULL UNDERWATER LIGHT



Installation Instructions

1. Locate and mark the desired location of the light. For best performance, SeaBlaze Typhoon should be mounted 6" to 16" below the waterline. Ideal mounting locations include transoms, the side and back surfaces of engine brackets and the undersides of dive platforms. Mounting on a running surface is not recommended.

When selecting a surface, ensure that the light will not interfere with operation of the engines, trim tabs, rudders etc. and that there is enough room inside the hull for the threaded housing with additional space to remove the light cartridge. A minimum of 7.5 inches of space from the inside hull surface is recommended. Ensure that the outside of the hull is flat for a minimum of a 4.75-inch diameter and is free from existing hardware or holes.

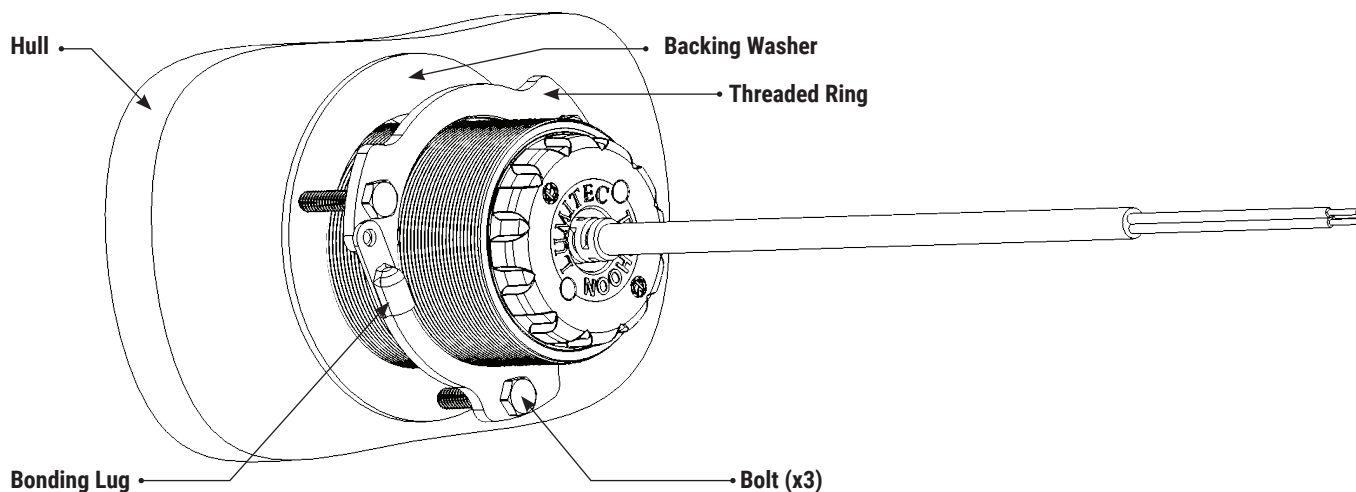
2. Drill a 3-inch hole (**3.625" hole for flush mount bezel option**) at the desired installation location. A carbide-tipped hole saw is recommended to reduce gelcoat chipping. After drilling, clean the outside and inside surfaces around the hole, removing any debris. For the best seal, the surface should be smooth and dry.
3. Apply your preferred marine grade sealant to the outside hull surface as well as the backside of the SeaBlaze Typhoon's bezel. Extreme care should be taken to thoroughly coat both surfaces. Dab additional sealant along the side wall of the hole.
4. Feed the wire through the hole and firmly press the SeaBlaze Typhoon into place. From inside the hull, install the backing washer and then the threaded ring. Tighten the three bolts provided (7/16" Size Hex, or 11mm) until the backing washer is pressing firmly into the inside wall of the hull. When fully tightened, sealant should be forced from all sides of the light on the outside of the hull. Clean off excess and allow the sealant to cure thoroughly per manufacturer's instructions prior to returning the vessel to the water.

Voltage: 10-30vDC
12vDC Amps: 10A
24vDC Amps: 4.5A
Color Temperature: 6500K (White)

Light Operation:

Spectrum: Light will cycle through all available colors (including white) within the first 20 seconds. An abrupt OFF/ON toggle of your standard (SPST) switch will allow the user to select any discrete color during the cycle. After 20 seconds without interruption, the light will repeat the full color cycle over a period of 3 minutes – discrete colors can still be chosen during the 3-minute cycle. The 3-minute cycle will repeat continuously if left un-interrupted. You can reset the light at any time by switching the power off for more than 3 seconds.

Dual-Color (White/Blue): An abrupt OFF/ON toggle of your standard (SPST) switch allows the SeaBlaze Typhoon to transition through each light output mode. 1- Cross-Color Fade – gently undulating color mix, 2- Blue Only, 3- White Only.



Limited Warranty

The product is warranted to be free from defects in workmanship and materials for a period of three years from the date of original purchase. Lumitec is not responsible for product failure caused by abuse, neglect, improper installation, or failure in applications other than those for which it was designed, intended, and marketed. Note that some surface corrosion is expected when bare metals are used in a marine environment. Corrosion of any metal will be especially aggressive if installation is improper, if bonding is improper or if stray currents are active in the vicinity of the boat. Lumitec shall not be liable for defects related to such corrosion. Should your Lumitec product prove defective during the warranty period, promptly notify Lumitec, and return product, freight prepaid. Lumitec will, at its option, repair or replace the product or defective portion without charge for parts or labor, or, at Lumitec, Inc.'s option, refund purchase price. Products repaired or replaced under this warranty shall be warranted for the unexpired portion of the warranty applying to the original product(s). No warranty or affirmation of fact, express or implied, other than as set forth in the limited warranty statement above is made or authorized by Lumitec, Inc. Any liability for consequential and incidental damages is expressly disclaimed. Lumitec liability in all events is limited to, and shall not exceed, the purchase price paid.

SeaBlaze Typhoon

THROUGH-HULL UNDERWATER LIGHT

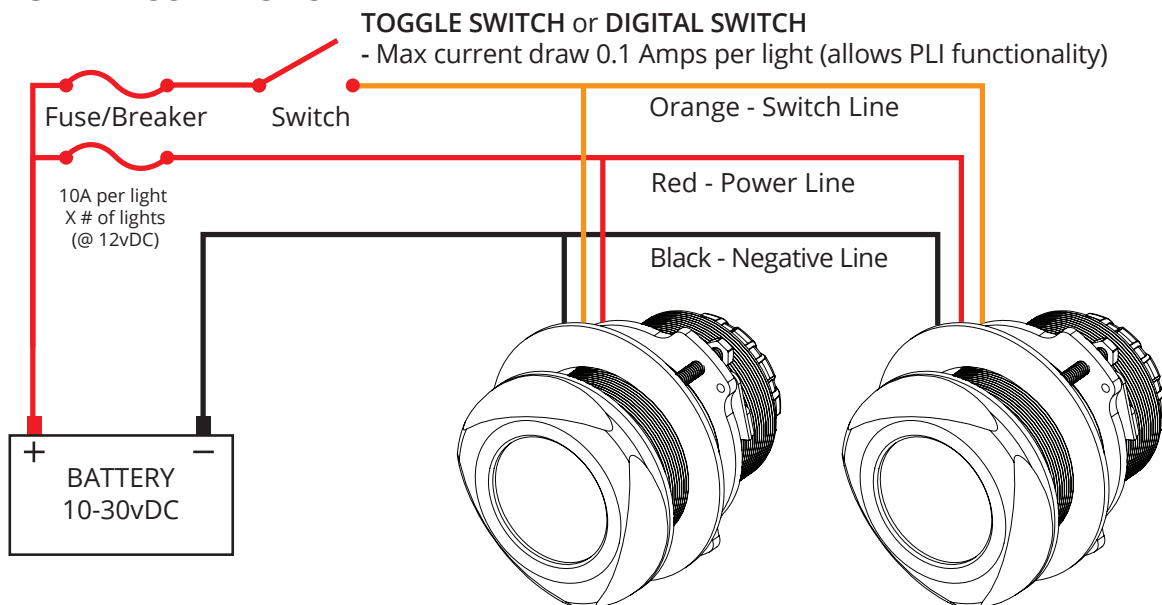


Wiring Instructions

- Due to the high output of the SeaBlaze Typhoon, sufficiently rated wiring and electrical components must be used to minimize voltage drop to the light. When connecting multiple lights to a common switch this becomes even more critical. For this reason, SeaBlaze Typhoon is equipped with a remote internal switch, allowing for less expensive low current wire and components to be used.
- To use the 3-wire system, connect the red and black 10-30vDC lines to an appropriately fused power buss. Connect the orange wire to a switched 10-30vDC buss referenced to the same ground as the power lines. The orange wire will draw approximately 100mA per light.
- To connect via standard two wire installation, simply splice the red and orange wires together and power with an appropriately fused switch power buss.
- THE BEST PRACTICE IS TO SELECT WIRING SYSTEM COMPONENTS TO ENSURE A MAXIMUM VOLTAGE DROP FROM POWER SOURCE OF 3%.

Wiring Diagrams

3-WIRE CONNECTION



2-WIRE CONNECTION

