

Nautilus & Scallop

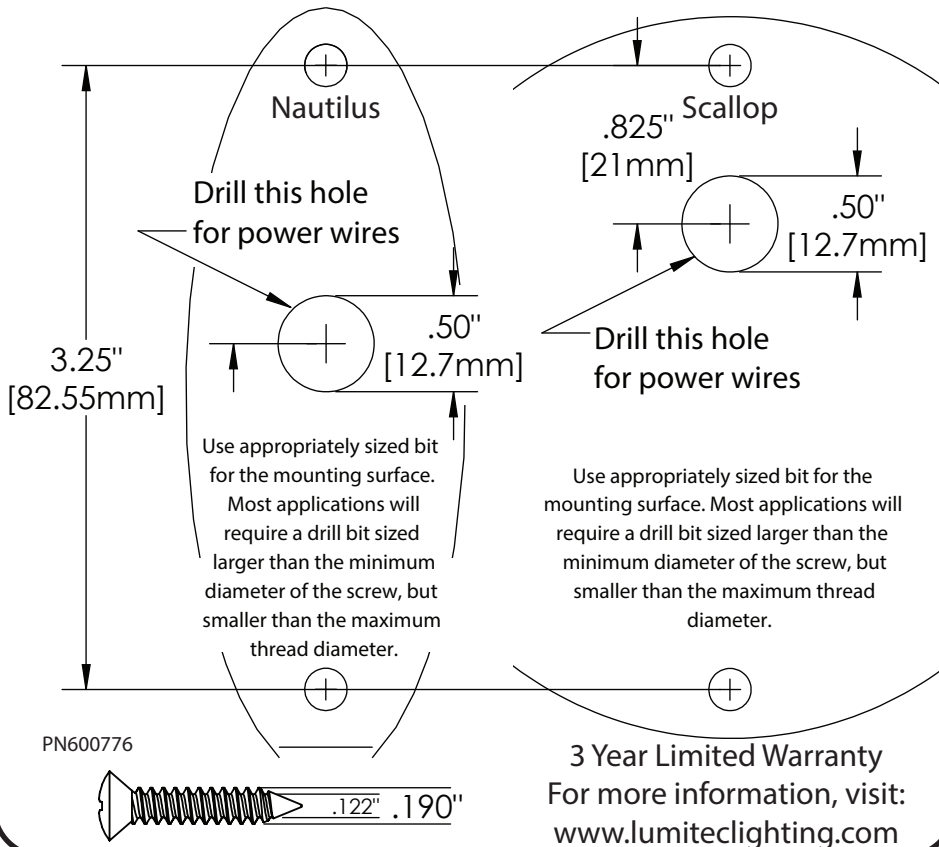
The black wire should be connected to a negative (or ground) and the red wire should be connected to a +12VDC or +24VDC supply. Light should be installed on a protected circuit with an appropriately sized fuse or circuit breaker. Each light will draw up to 0.50Amp@12VDC/0.25A@24VDC.

White Only Mode: Turn power on. The light will ramp in intensity over a period of 4 seconds. To invoke a “dimmed” state of white light, interrupt the 4 second ramp with a brief “off/on” toggle. No interruption during the 4 second ramp will result in full intensity white light.

To enter Spectrum Full Color Mode: The light must be powered up and already in White Only Mode. (full intensity or dimmed) A subsequent “off/on” toggle within 2 seconds will begin Spectrum Full Color Mode. NOTE - Spectrum Full Color Mode will begin with white light and transition to all other colors. At any time during the color cycle, the user can apply another brief “off/on” toggle within 2 seconds to “lock” the desired color while in Spectrum Full Color Mode.

If the light is turned off for more than 2 seconds at any point, it will revert back to White Only Mode.

These lights are compatible with the Lumitec POCO system.



Nautilus & Scallop

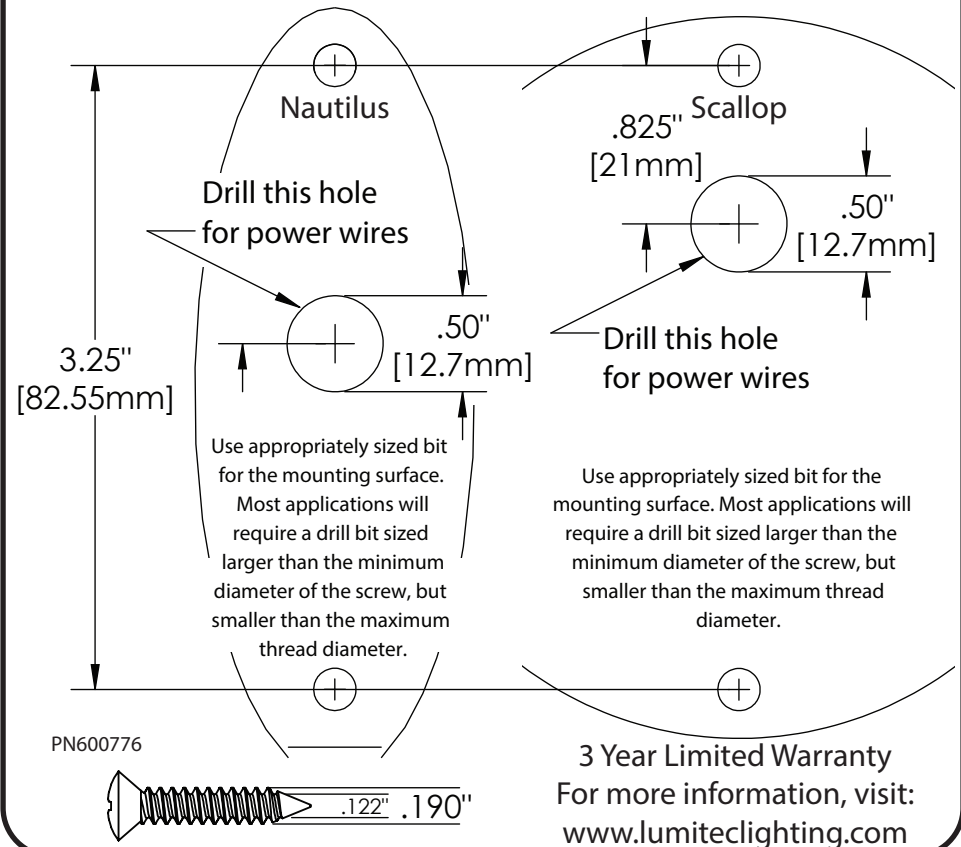
The black wire should be connected to a negative (or ground) and the red wire should be connected to a +12VDC or +24VDC supply. Light should be installed on a protected circuit with an appropriately sized fuse or circuit breaker. Each light will draw up to 0.50Amp@12VDC/0.25A@24VDC.

White Only Mode: Turn power on. The light will ramp in intensity over a period of 4 seconds. To invoke a “dimmed” state of white light, interrupt the 4 second ramp with a brief “off/on” toggle. No interruption during the 4 second ramp will result in full intensity white light.

To enter Spectrum Full Color Mode: The light must be powered up and already in White Only Mode. (full intensity or dimmed) A subsequent “off/on” toggle within 2 seconds will begin Spectrum Full Color Mode. NOTE - Spectrum Full Color Mode will begin with white light and transition to all other colors. At any time during the color cycle, the user can apply another brief “off/on” toggle within 2 seconds to “lock” the desired color while in Spectrum Full Color Mode.

If the light is turned off for more than 2 seconds at any point, it will revert back to White Only Mode.

These lights are compatible with the Lumitec POCO system.



Nautilus & Scallop

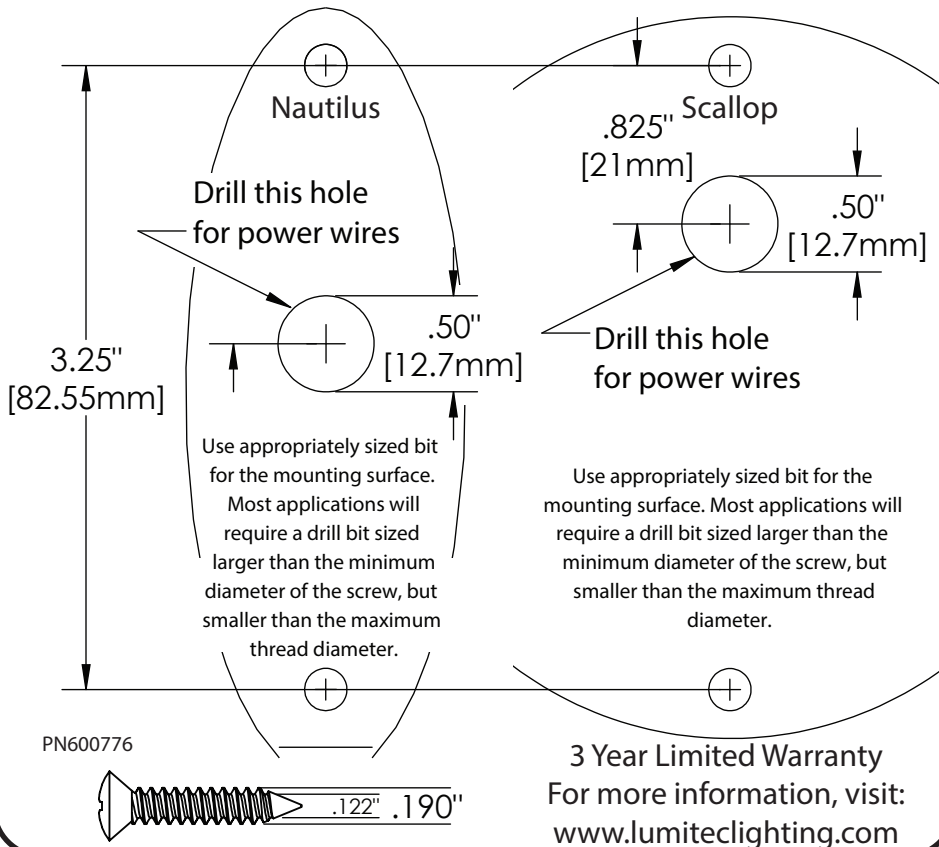
The black wire should be connected to a negative (or ground) and the red wire should be connected to a +12VDC or +24VDC supply. Light should be installed on a protected circuit with an appropriately sized fuse or circuit breaker. Each light will draw up to 0.50Amp@12VDC/0.25A@24VDC.

White Only Mode: Turn power on. The light will ramp in intensity over a period of 4 seconds. To invoke a “dimmed” state of white light, interrupt the 4 second ramp with a brief “off/on” toggle. No interruption during the 4 second ramp will result in full intensity white light.

To enter Spectrum Full Color Mode: The light must be powered up and already in White Only Mode. (full intensity or dimmed) A subsequent “off/on” toggle within 2 seconds will begin Spectrum Full Color Mode. NOTE - Spectrum Full Color Mode will begin with white light and transition to all other colors. At any time during the color cycle, the user can apply another brief “off/on” toggle within 2 seconds to “lock” the desired color while in Spectrum Full Color Mode.

If the light is turned off for more than 2 seconds at any point, it will revert back to White Only Mode.

These lights are compatible with the Lumitec POCO system.



Nautilus & Scallop

The black wire should be connected to a negative (or ground) and the red wire should be connected to a +12VDC or +24VDC supply. Light should be installed on a protected circuit with an appropriately sized fuse or circuit breaker. Each light will draw up to 0.50Amp@12VDC/0.25A@24VDC.

White Only Mode: Turn power on. The light will ramp in intensity over a period of 4 seconds. To invoke a “dimmed” state of white light, interrupt the 4 second ramp with a brief “off/on” toggle. No interruption during the 4 second ramp will result in full intensity white light.

To enter Spectrum Full Color Mode: The light must be powered up and already in White Only Mode. (full intensity or dimmed) A subsequent “off/on” toggle within 2 seconds will begin Spectrum Full Color Mode. NOTE - Spectrum Full Color Mode will begin with white light and transition to all other colors. At any time during the color cycle, the user can apply another brief “off/on” toggle within 2 seconds to “lock” the desired color while in Spectrum Full Color Mode.

If the light is turned off for more than 2 seconds at any point, it will revert back to White Only Mode.

These lights are compatible with the Lumitec POCO system.

